

TOPCAT[®] K2

Drw.No. 500 K2

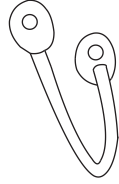


Measurement

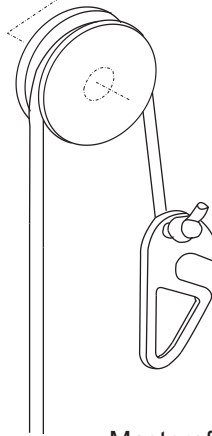
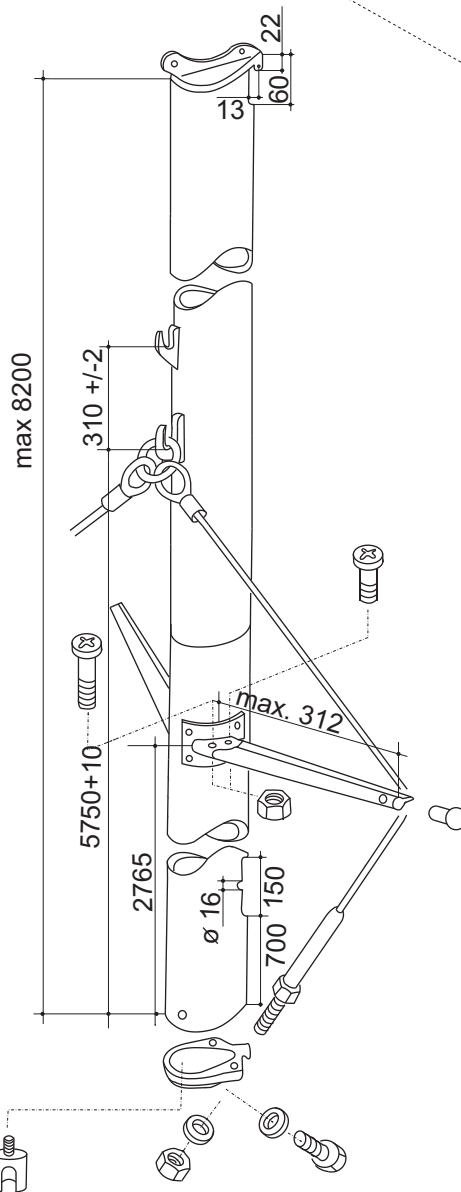
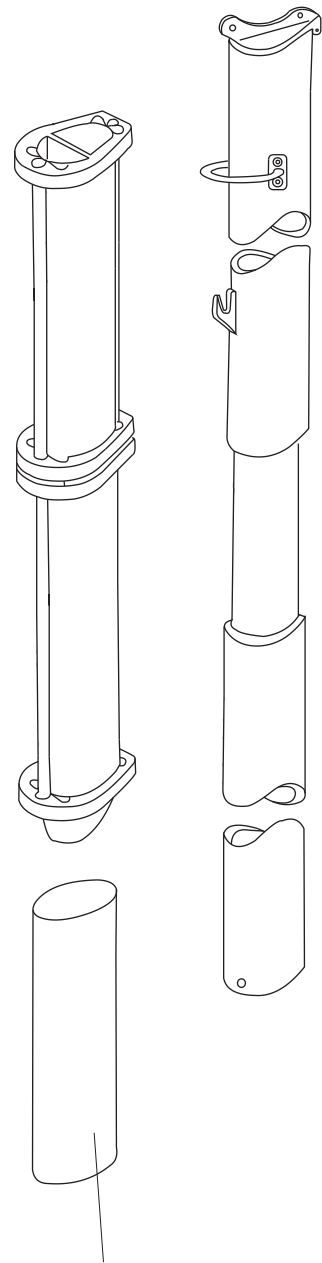
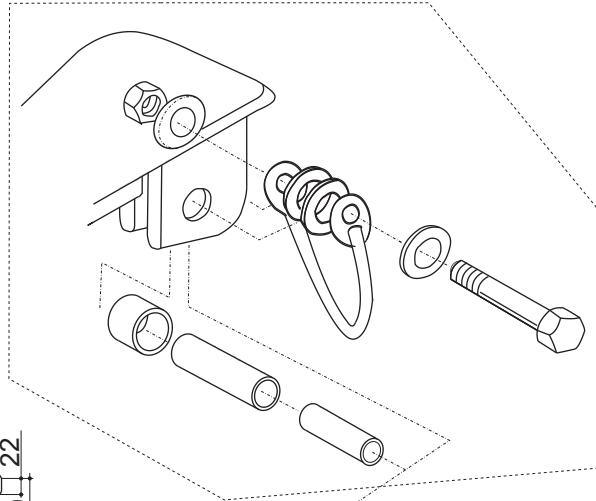
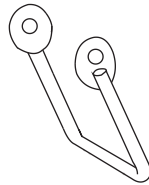
ITCA International Topcat
Class Association

Stand:01.01.2013

Fallschwinge neu



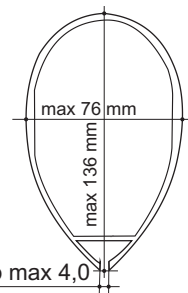
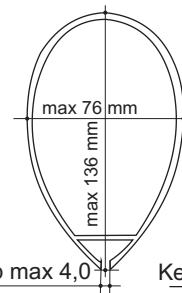
Fallschwinge alt



Mastprofile

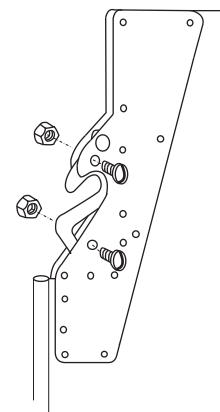
neu

alt



Keep max 4,0

Keep max 4,0



Sagex Polystyrene Kern
Polystyrene foam core