

TOPCAT® K1

Drw.No. 500 K1

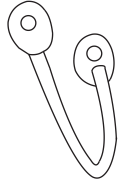


Measurement

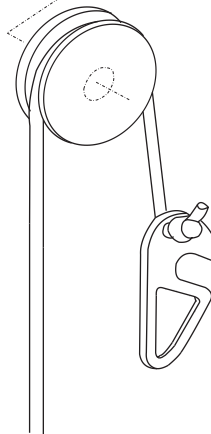
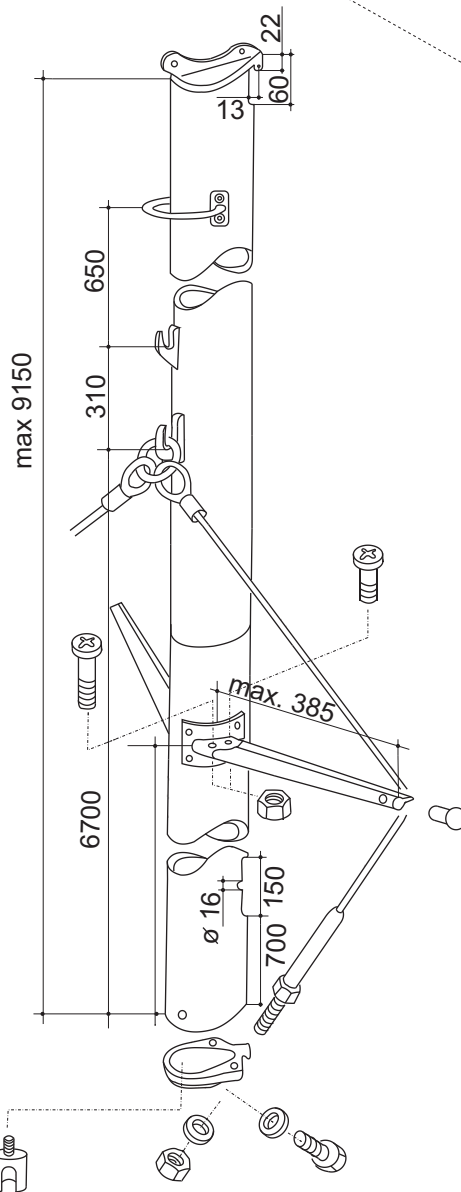
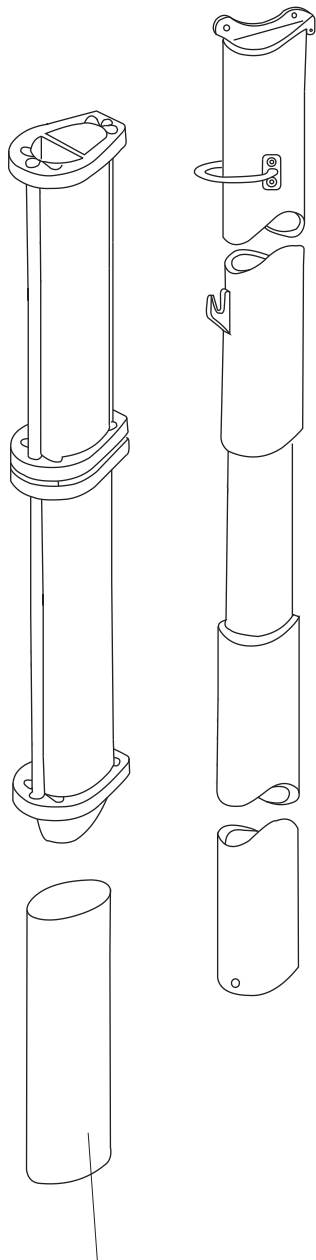
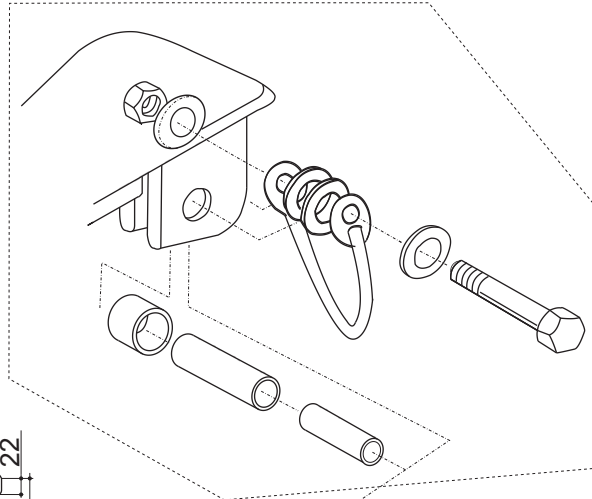
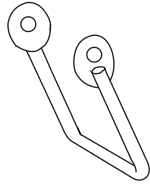
ITCA International Topcat
Class Association

Stand:01.01.2013

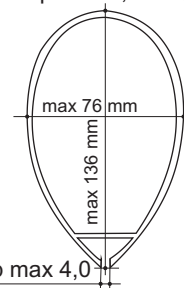
Fallschwinge neu



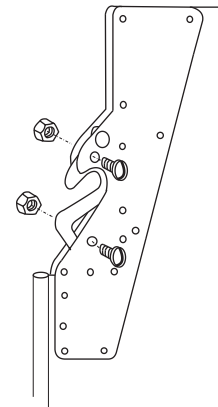
Fallschwinge alt



Mastprofile 2,179 kg/m



Keep max 4,0



Sagex Polystyrene Kern
Polystyrene foam core